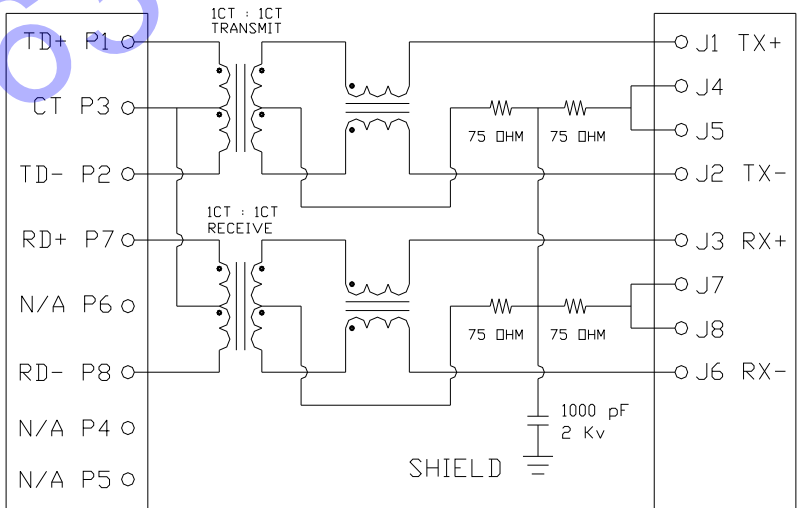


ELECTRICAL SPECIFICATIONS @ 25°C +/- 5°C unless otherwise noted:

- Insertion Loss: 1-100MHZ -1.0dB MAX**
- Return Loss: 1-30MHZ -16.0dB MIN**
- 30-60MHZ -14.0dB MIN**
- 60-80MHZ -10.0dB MIN**
- Cross Talk: 1-30MHZ -40.0dB MIN**
- 30-60MHZ -35.0dB MIN**
- 60-80MHZ -30.0dB MIN**
- CMR: 1-100MHZ -35.0dB MIN**
- Hi-Pot: 1500v AC 6S 1mA**
- OCL:350uH MIN @ 100KHZ 100mV 8mA DC**



Contacts: 0.35mm thick phos bronze plated with 6u' gold in contact ar

Turn Ratio: 1CT:1CT+/-3%

Operating temperature range:0°C to +70°C

Housing Material: PBT Black

HDC 有限公司

UNIT: mm
.xx +/-0.25 .xxx +/-0.13

Approved By :Joan Pan

10/100BASE
1X1Tab-Down RJ45

.....P/N:; F>>!<+\$, \$

REV.
A

Drafted by Lin Ye

Sheet 1 of 1